

# Henschel Andromat Inc.

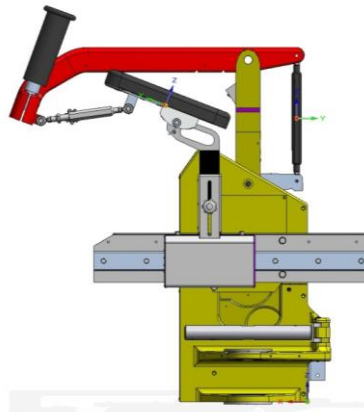
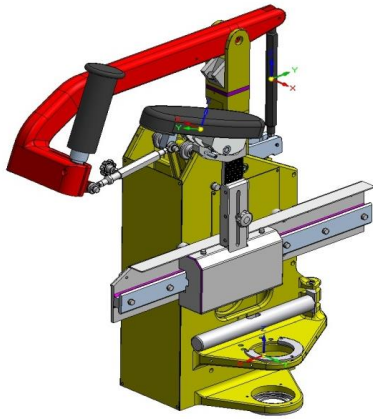


Reference: ½ **Scale Master-Arm** for ANDROMAT Manipulators

**NOW AVAILABLE!**

We at Henschel Andromat Inc. are pleased to announce our latest designed ½ Scale Master Arm:

- **P/N A00012.0236 - ½ Scale Arm**



In Stock Ready for Immediate Shipping

This arm operates as the present full scale arm with the added advantages of –

- ½ distance movement in all directions required in comparison to present unit operation
- Adjustable arm rest for operator comfort (height & length)
- Same smooth operation as present full scale arm
- Ease in installation, plug-n-play retrofit to existing machines
- Same rugged design and construction as full scale arms
- Accommodates all available pilot grips used on Andromat units (*Pilot Grip not included*).

This arm recently introduced and trialed under heavy operating conditions at several facilities is receiving rave reviews and wide acceptance... ***This is the master-arm of the future...***

This plug-n-play arm (P/N A00012.0236) is available fob Alabaster, AL. And, we are also pleased to announce that we also have conversion kits taking your existing full scale arms to the new ½ scale version – (PN A00012.0241) conversion kit is also available fob Alabaster, AL.

Call today for more information or to place your order!

160 Commercial Court, Alabaster, Alabama 35007  
205.664.2484 \* 205.664.2481 Fax \* [www.andromatusa.com](http://www.andromatusa.com)

Kevin Crawford, Executive Vice President & General Manager  
Cell: 920.737.9099 Email: [kevin@andromatusa.com](mailto:kevin@andromatusa.com)